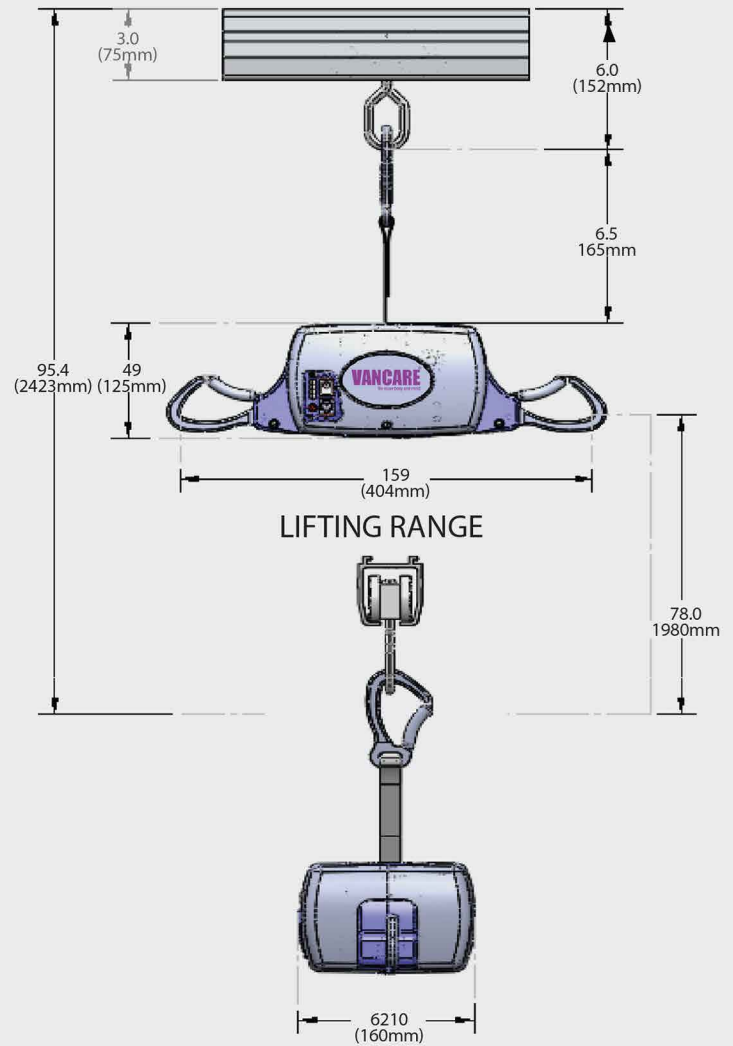




P-300 Dimensions



P-300 Specifications

- Lift Motor: 24 VDC
- Charger Input/Output: 100-240 VAC, 100 VAC: 0.9 Amps / 24 VDC, 1.33 Amps
- Charger Model : SL POWER MENB1030A2403C01
- Batteries: NiMH —24 VDC (2 x 12 VDC) 1.8 AH-Custom Battery Pack.
- Lift Case: Flame Retardant ABS
- Hand Control: Digital(Operating force less than 1.12Lbs or 5N)
- Lifting Range: Up to 1.96m
- Lift Weight: 7 lbs. (3.2 kg)
- Maximum Load: 300 lbs. (136 kg)
- Duty Cycle: 1 min "ON", 9 mins "OFF"
- Rated Performance: 20-21 lifts at 300 lbs. (Full Load)
- Max Sound Level: Raising Max load 57.6 dB , Lowering Max load 59.1 dB
- Service Life: 11000 Cycles or 5 years , whichever comes earlier.

P-300 Portable Ceiling Lift 300 lb. Capacity

Committed to solving your safe patient handling challenges.

The P-300 Portable Ceiling Lift has been designed and tested to the most rigorous industry standards. This lightweight economical product comprises nothing with respect to its performance. With its 300lb. capacity and lightweight design (6.7 lb.) this product will meet the needs of even the most demanding environments. As the lightest portable ceiling lift on the market, this device can be easily relocated to multiple rooms with little effort from the caregiver. This unit is designed to be used with Vancare's complete range of slings ensuring that regardless of the client's needs or environment, this product will address the lifting and handling issues encountered by today's caregiver.



The P-300 is equipped with a 3-button digital hand control with UP, DOWN and EMERGENCY DOWN buttons. The UP button is used to lift the patient and DOWN button is for lowering the patient.



Aurora, NE 68818
Tel 800.694.4525
Fax 402.694.3994
Email info@vancare.com
Web vancare.com

VANCARE[®]
We move body and mind