

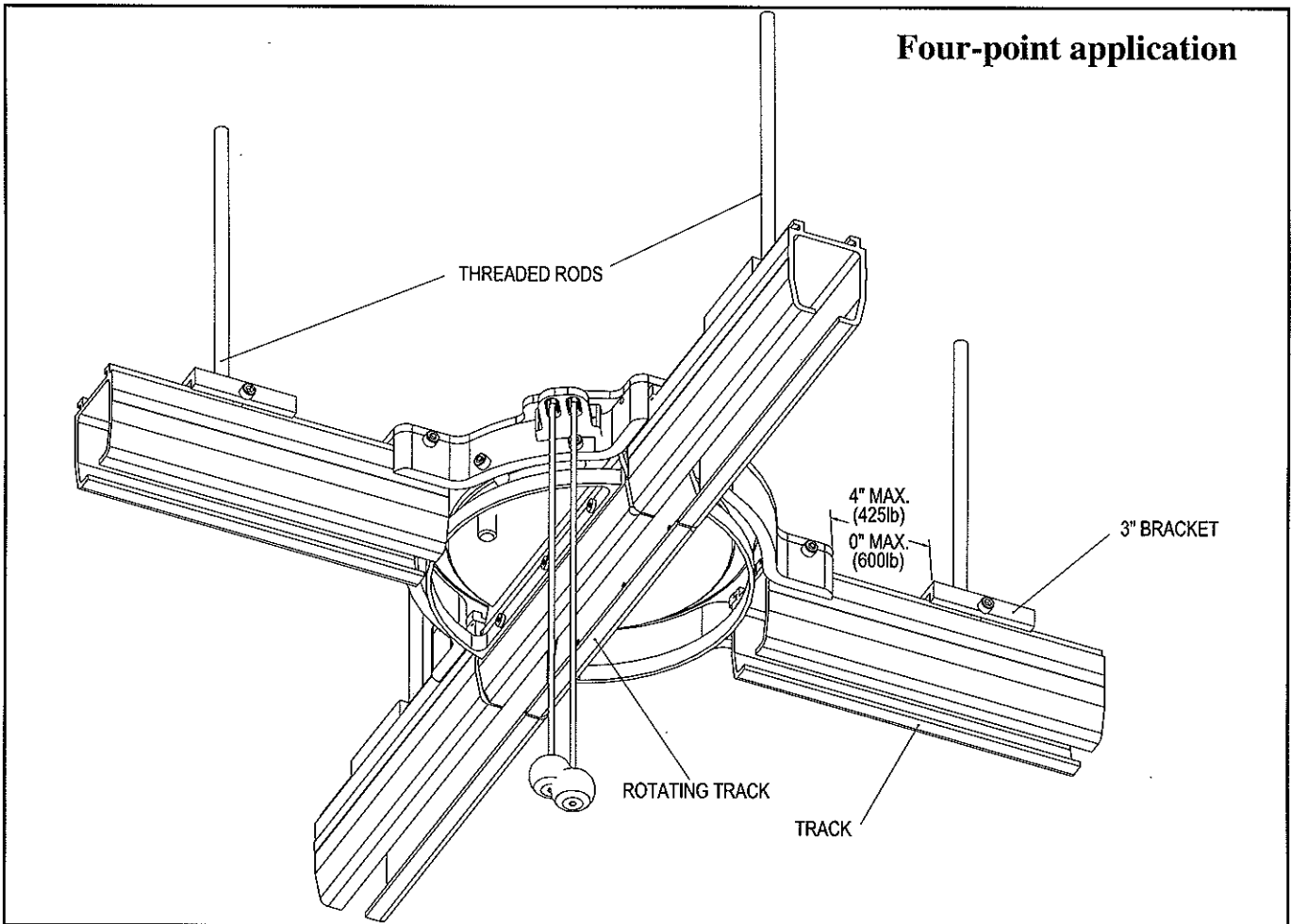
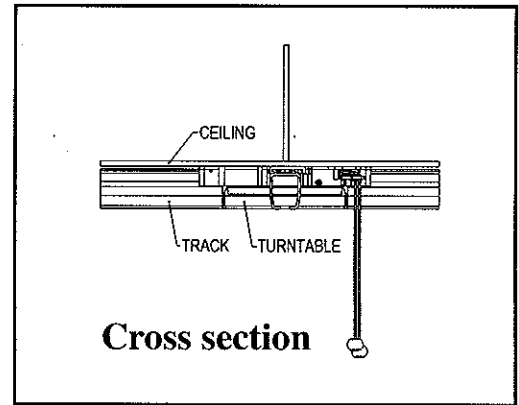
Quick-fit turntable



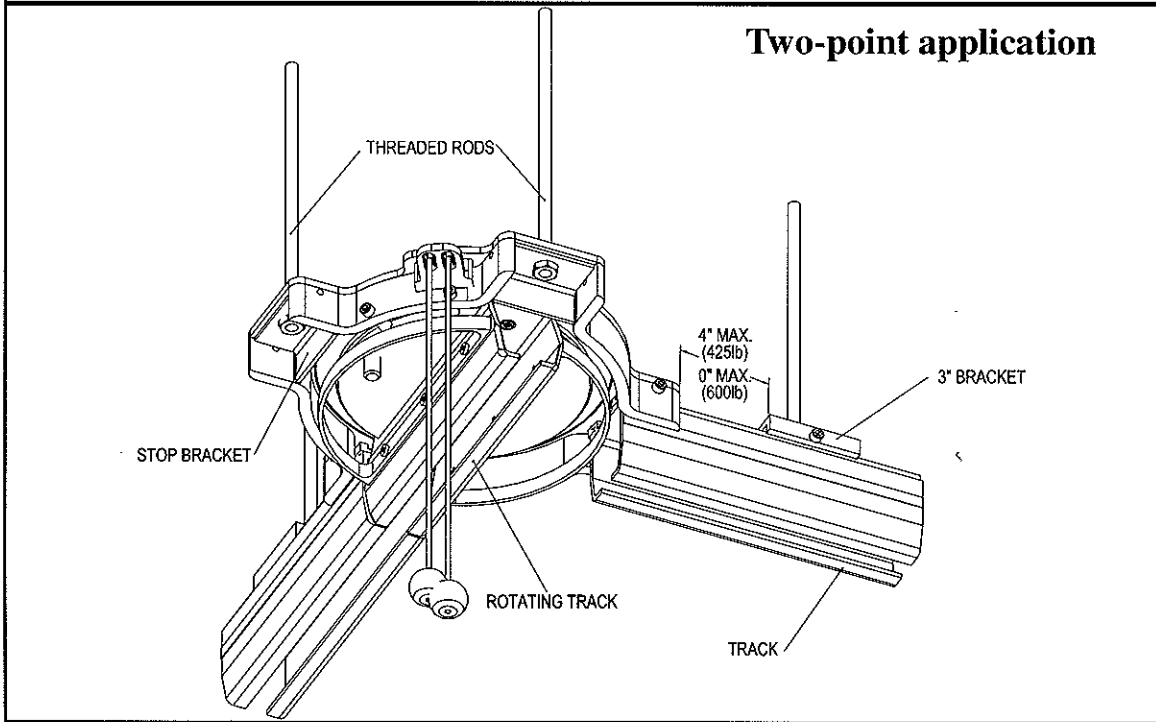
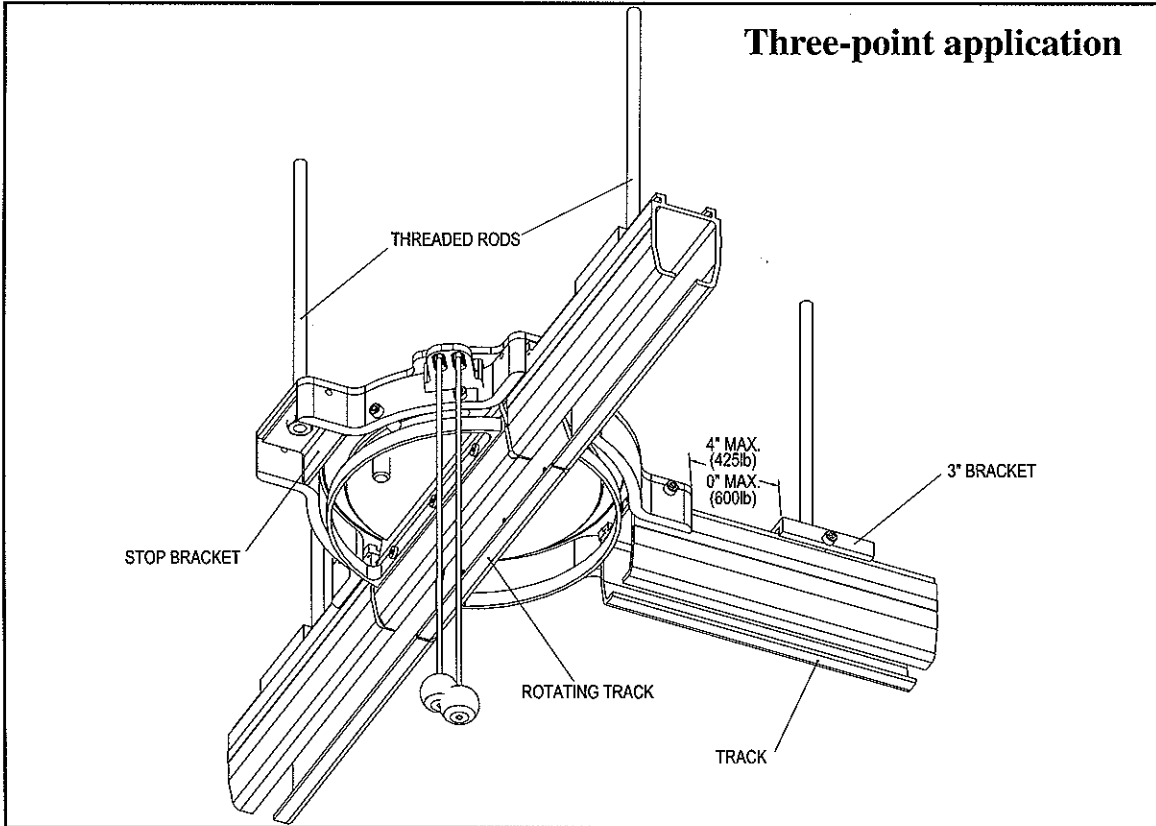
Most turntable requirements are for an X-shape, T-shape or a 90 degree angle, all of which can be satisfied by a 4-point turntable. Compared with our 16-point turntable, the new turntable:

- reduces the number of suspension points by up to 50%
- weighs 18 lbs versus 44 lbs
- is flush with the ceiling and therefore doesn't require a circular cut-out
- is value priced

The existing 16-point turntable continues to be available for multi-port applications and Y-angles.



VANCARE[®]
We move body and mind



VANCARE[®]
We move body and mind