

Square 4-post area covering system

Tools required:

- 1) 3/16" Allan key
- 2) 7/16" Socket wrench
- 3) 15/16" Wrench

Special Notes:

- 1) Do not over torque 5/16" hex head bolts.
Recommended torque— 90 in/pounds.
- 2) Make sure track is tight against supports
- 3) Check that track bracket screws are screwed in tightly.
- 4) Place white caps over the heads of the 5/16" hex head bolts.

If you have any questions about the assembly
of your free-standing overhead system
please contact your local authorised dealer.



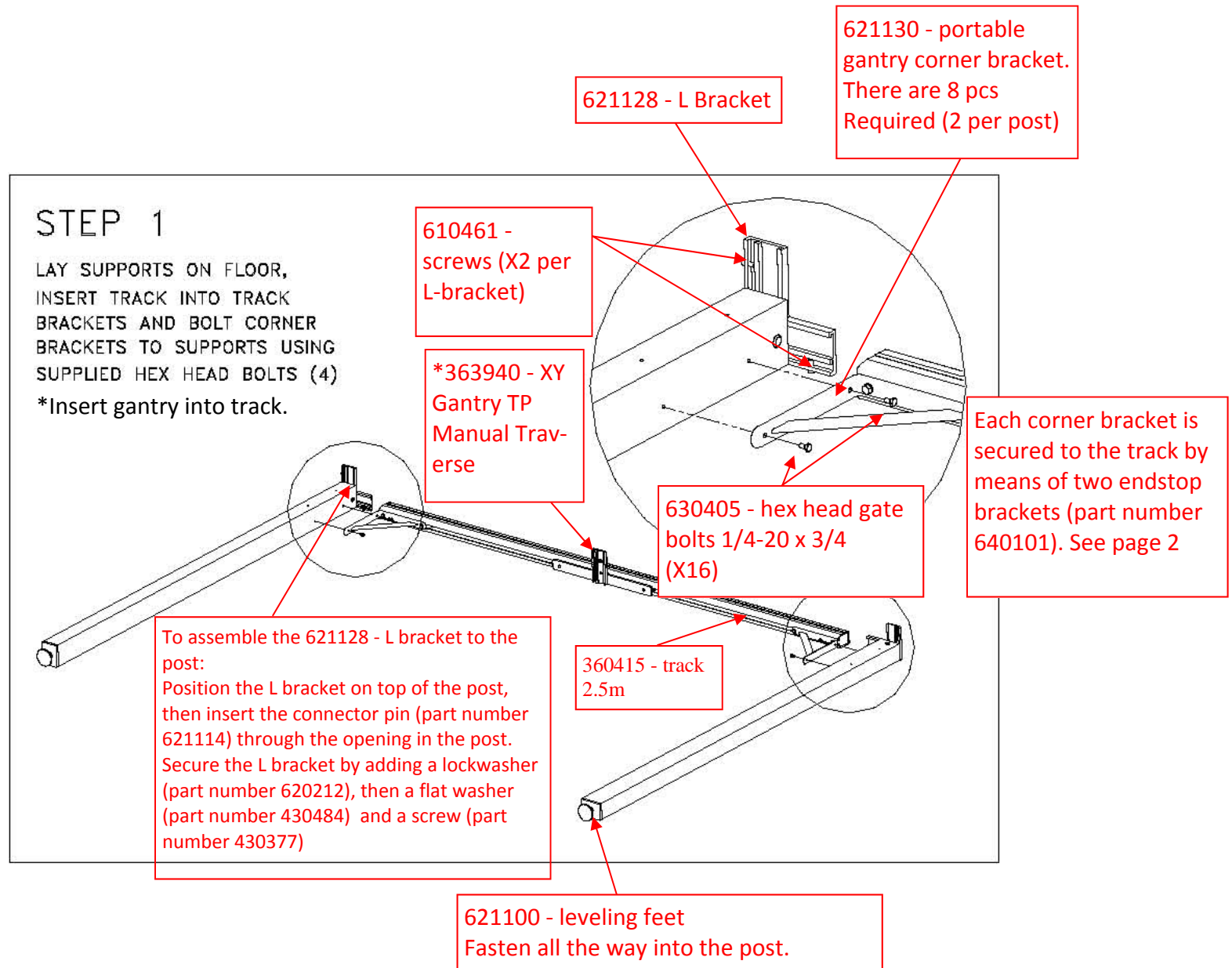
Free-standing overhead systems



Square 4-post area covering system

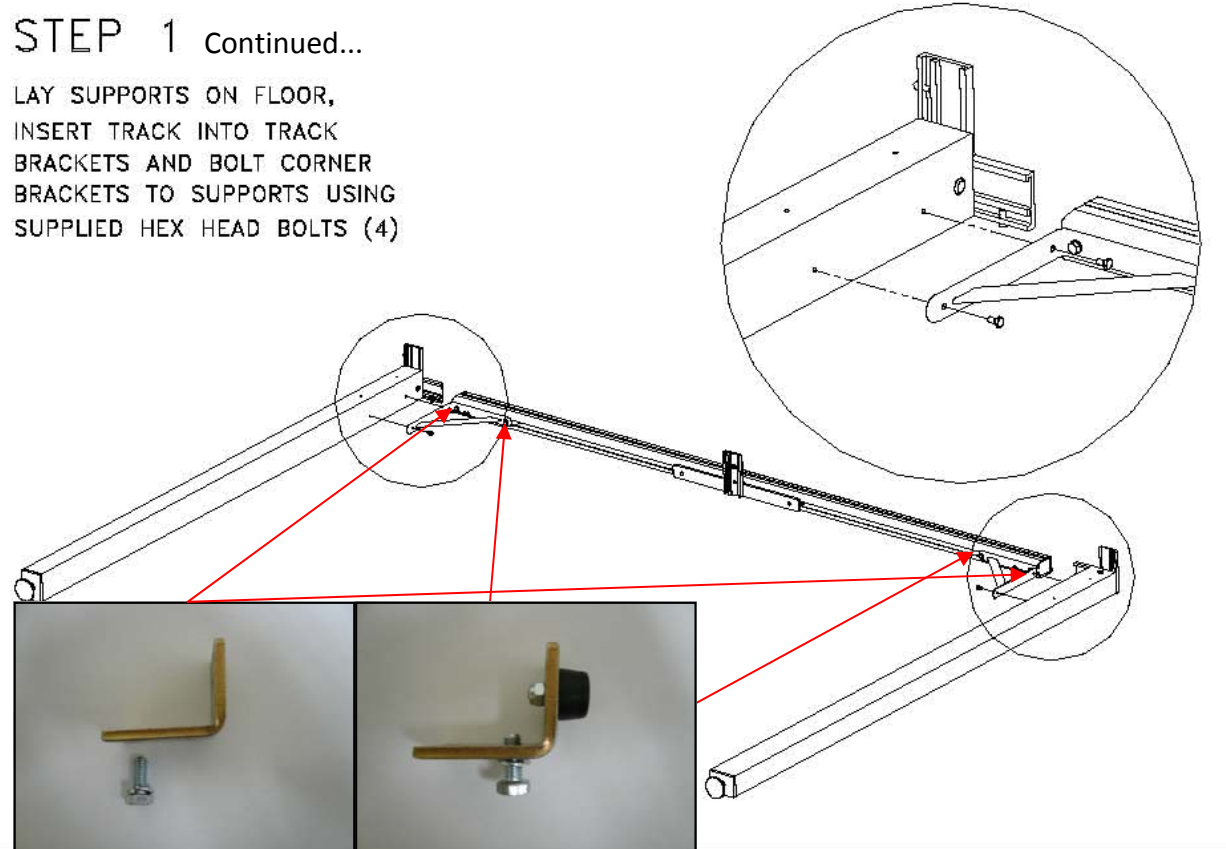
Assembly Guide

VANCARE, INC.
1515 FIRST ST
AURORA, NE 68818
WWW.VANCARE.COM
1-800-694-4525



STEP 1 Continued...

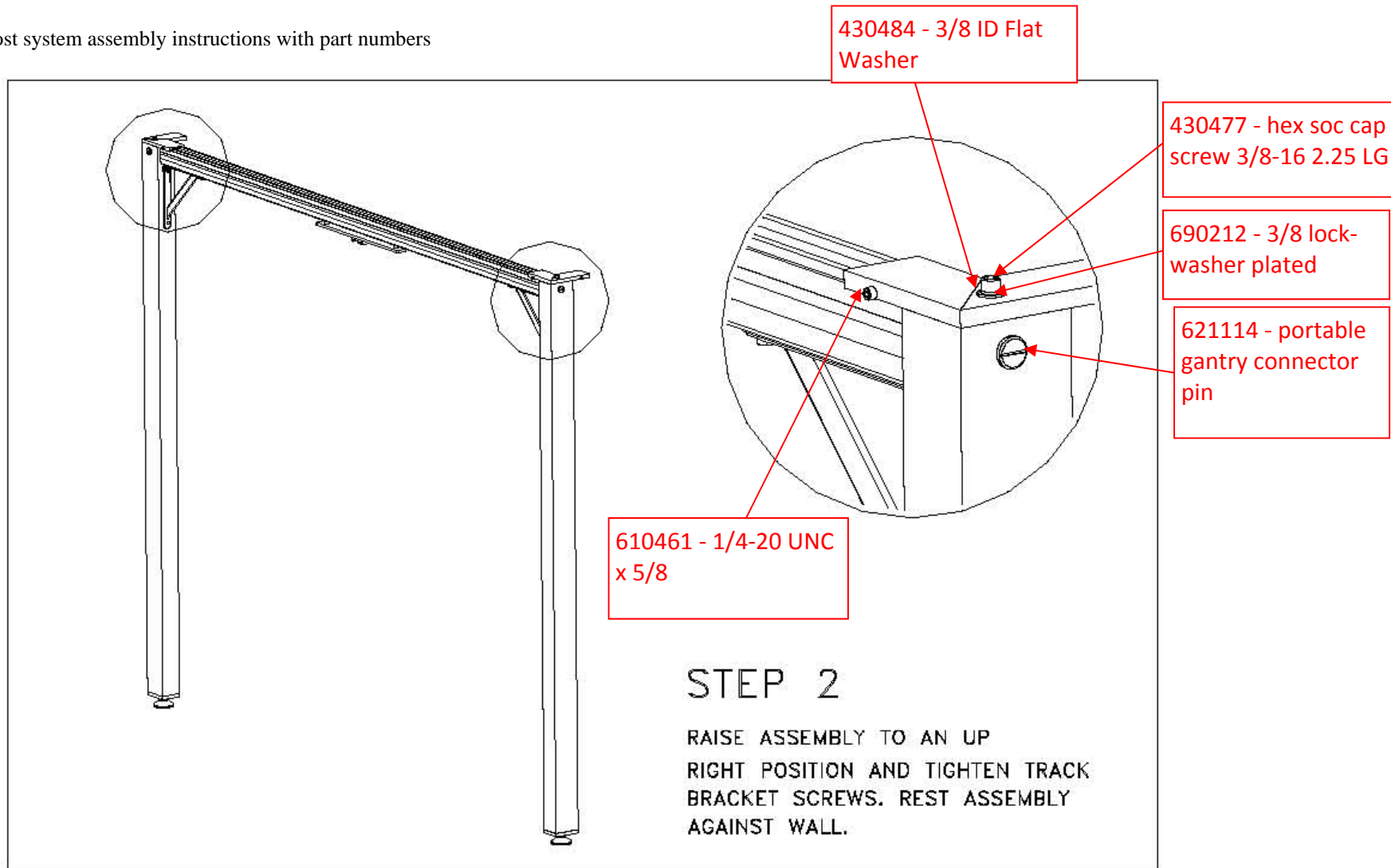
LAY SUPPORTS ON FLOOR,
INSERT TRACK INTO TRACK
BRACKETS AND BOLT CORNER
BRACKETS TO SUPPORTS USING
SUPPLIED HEX HEAD BOLTS (4)



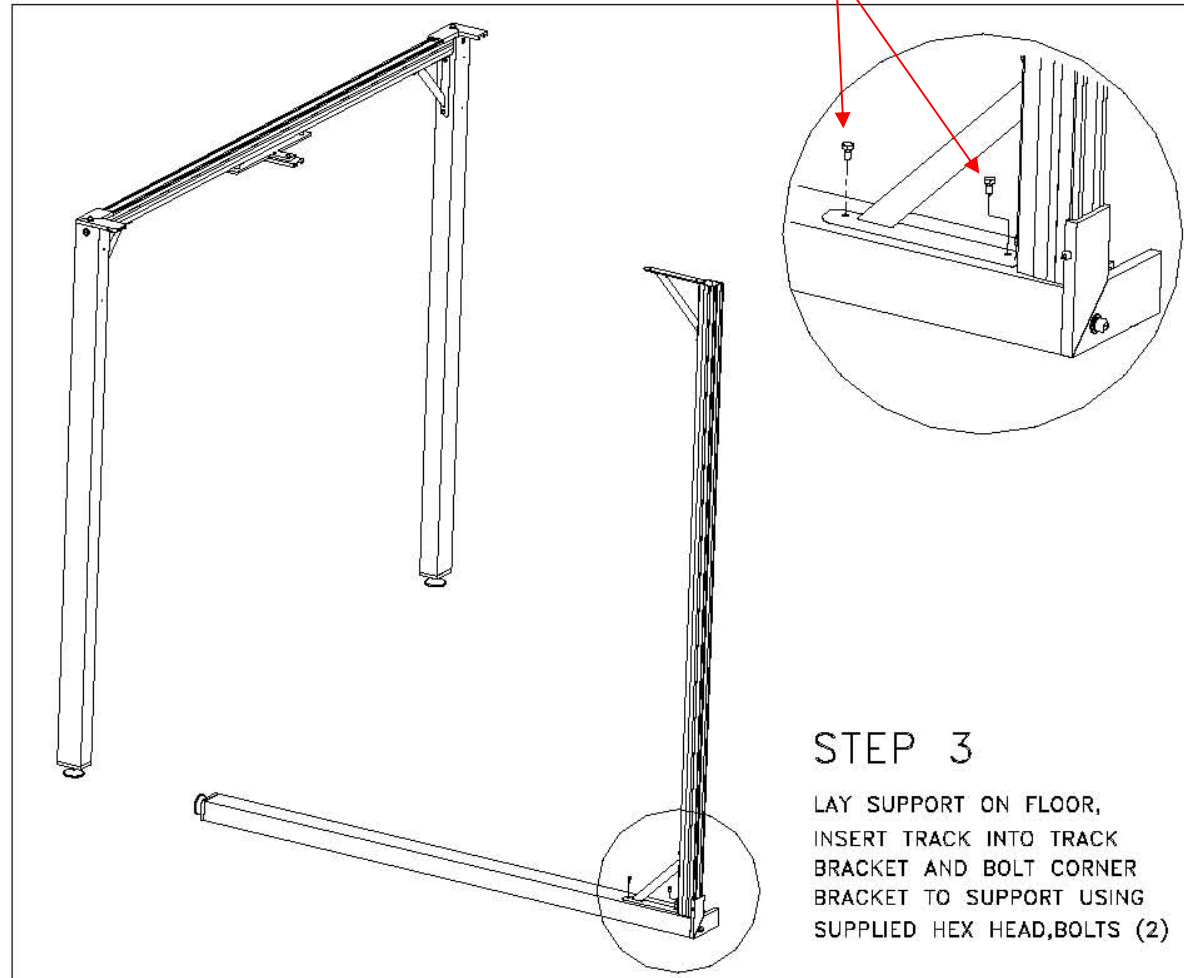
640101 - endstop bracket
640160 - Hex Head Bolt
640170 - lock washer 5/16
x .078 thk

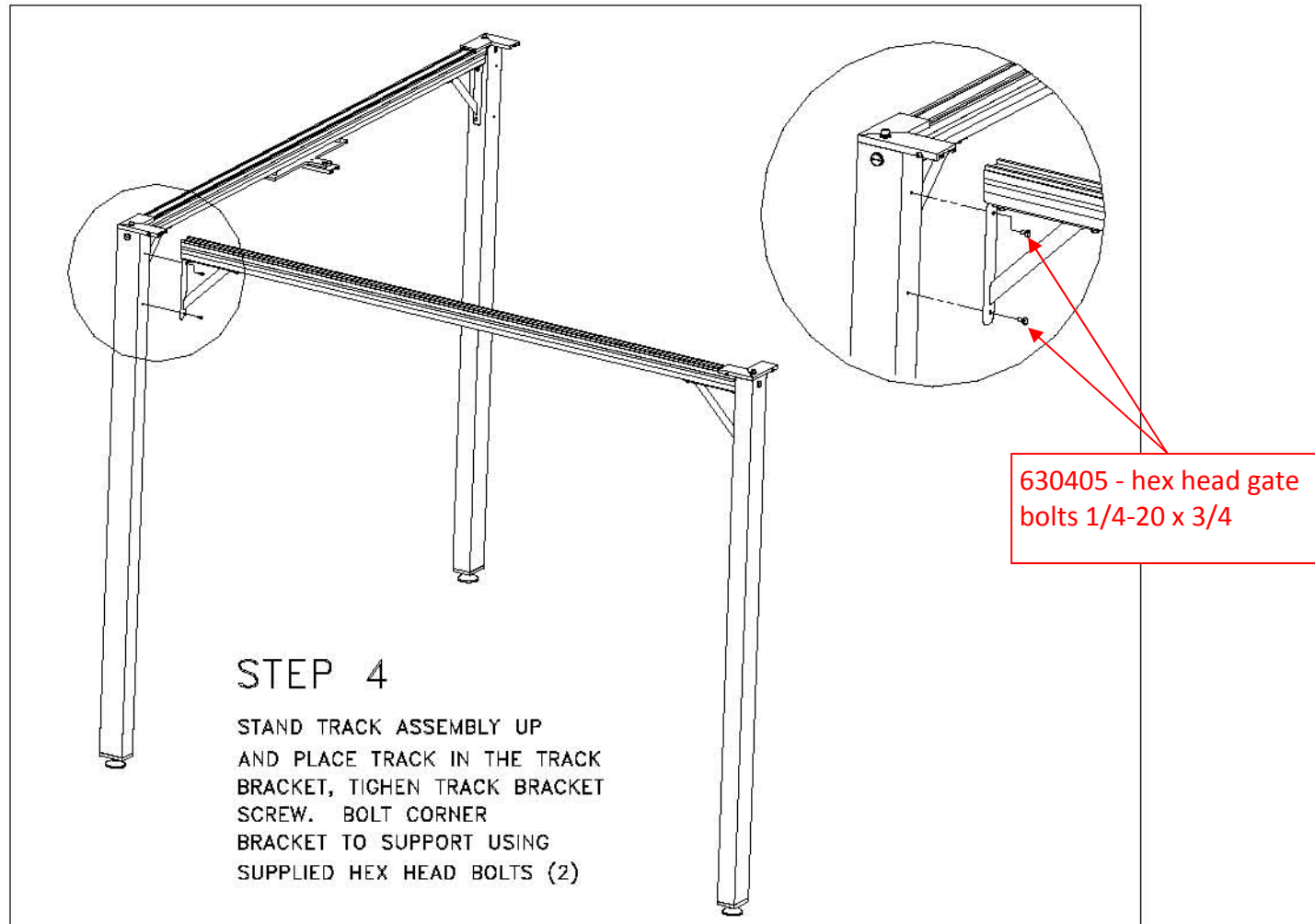
640101 - endstop bracket
640160 - Hex Head Bolt
640170 - lock washer 5/16 x .078 thk
640130 - rubber bumper
640140 - pan head bolt 10-24 x 5/8
640150 - nyloc nut 10-24

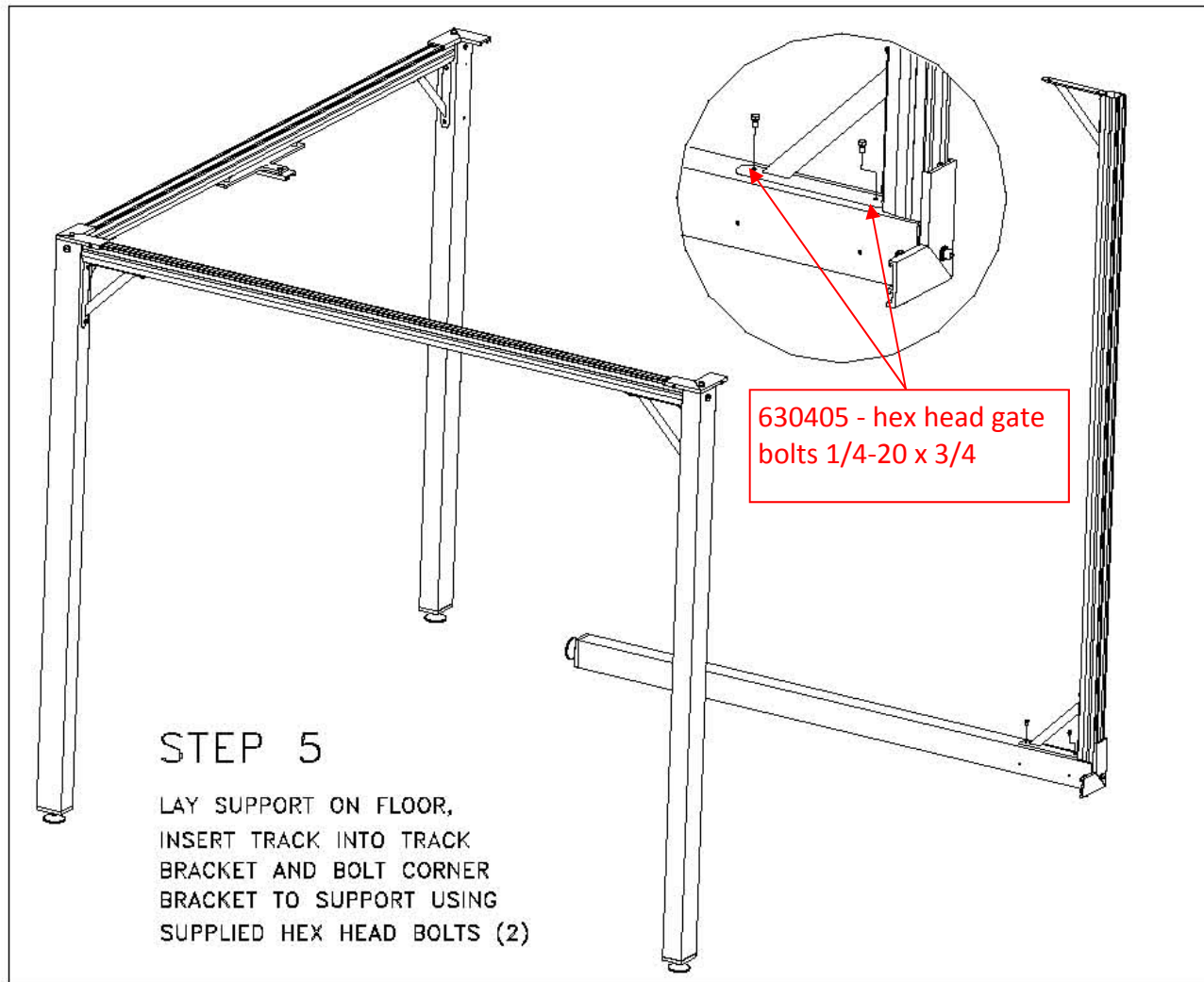
Note:
The rubber bumpers are needed only in the inner endstop securing the corner bracket. The bumpers stop the gantry from traversing further. Please note the location of the screw in the endstop with the rubber bumper.

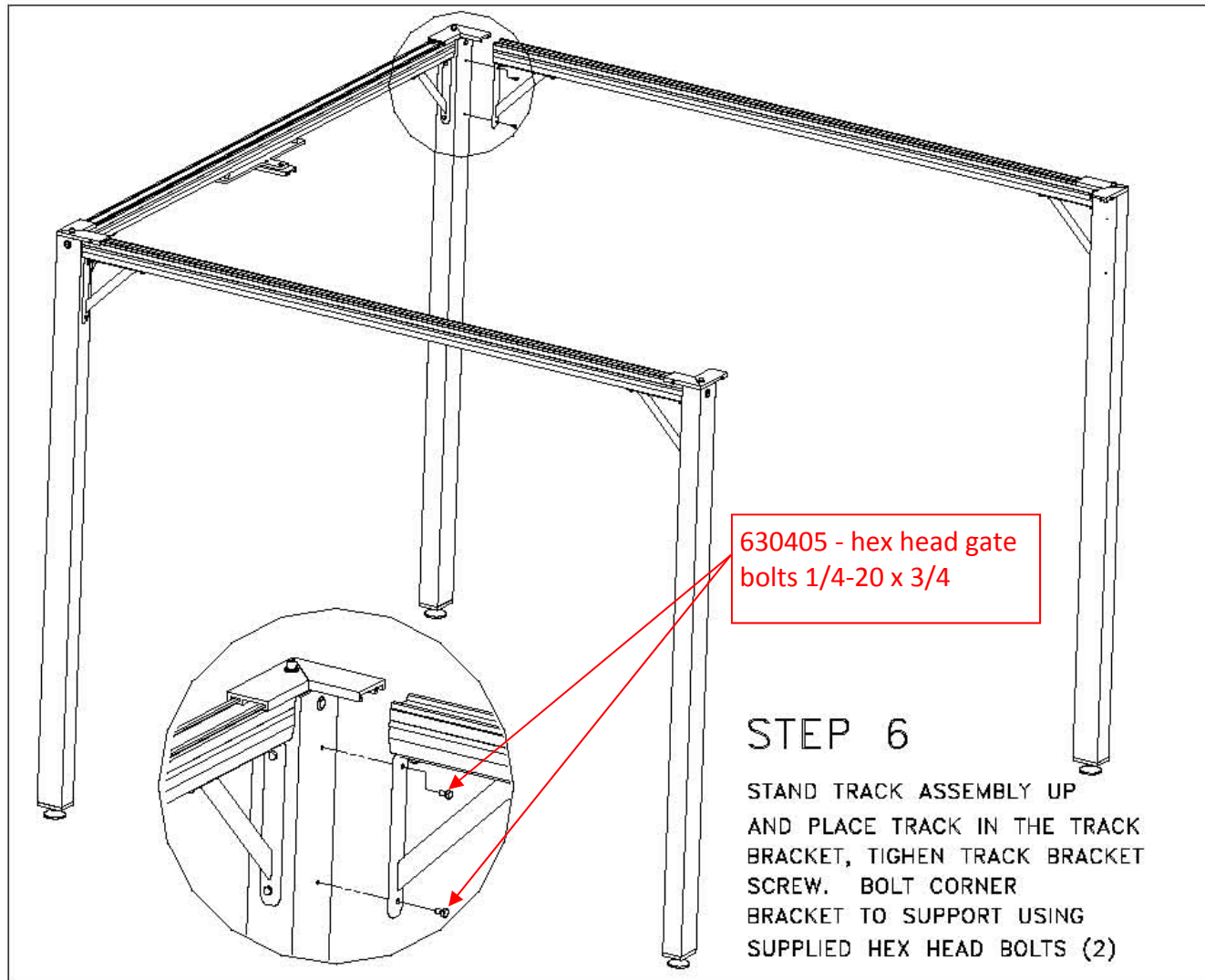


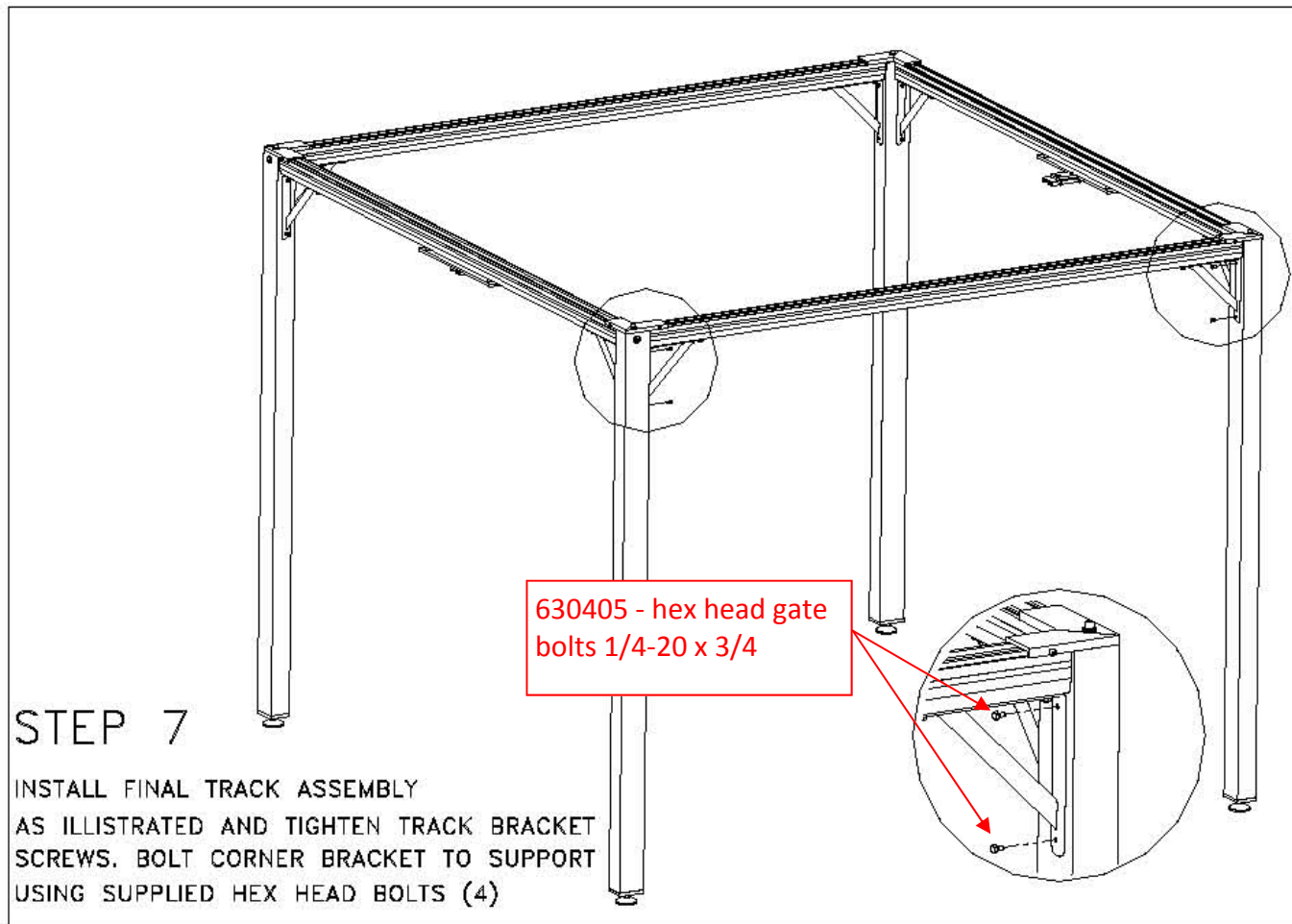
630405 - hex head gate
bolts 1/4-20 x 3/4



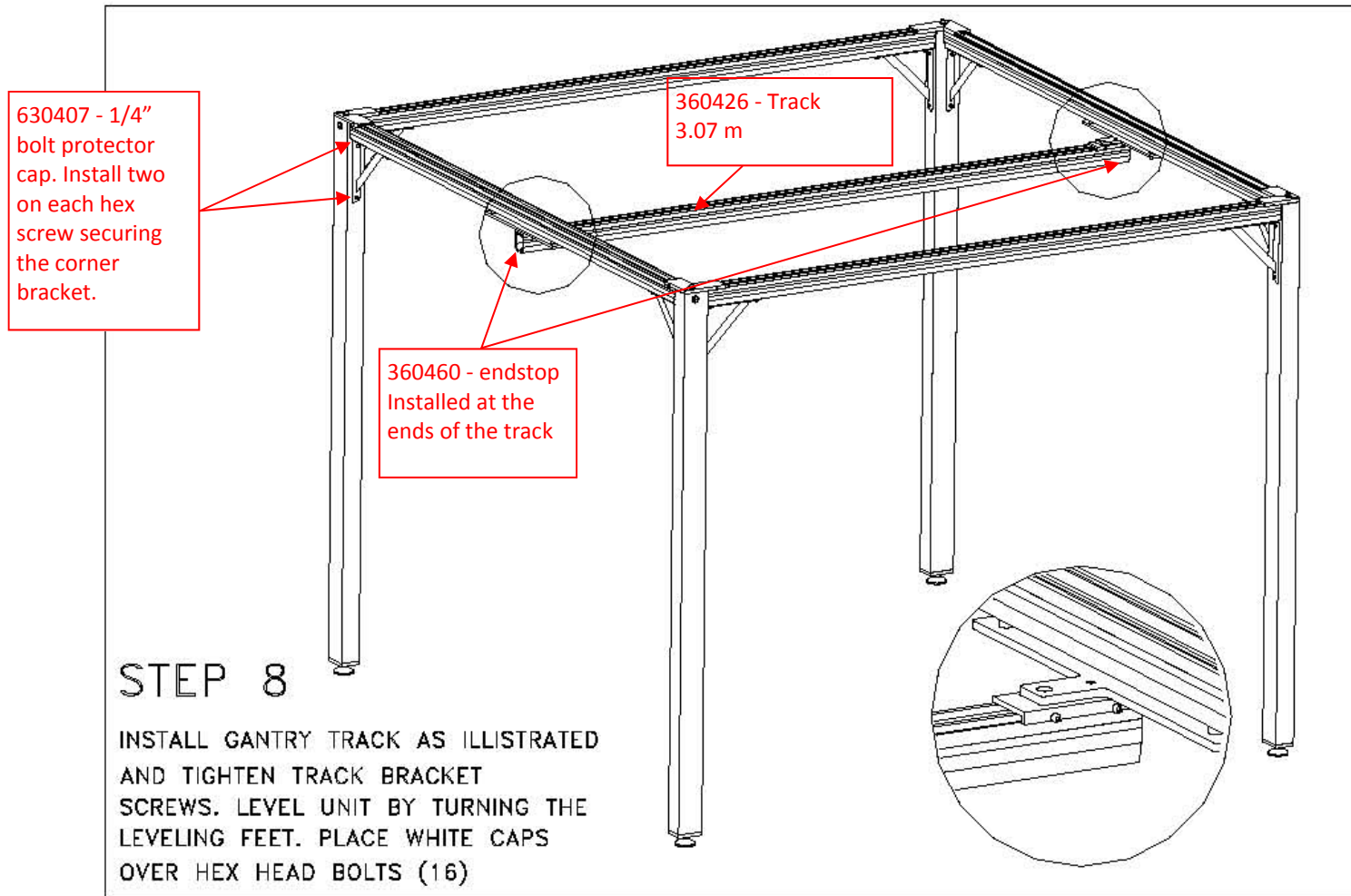






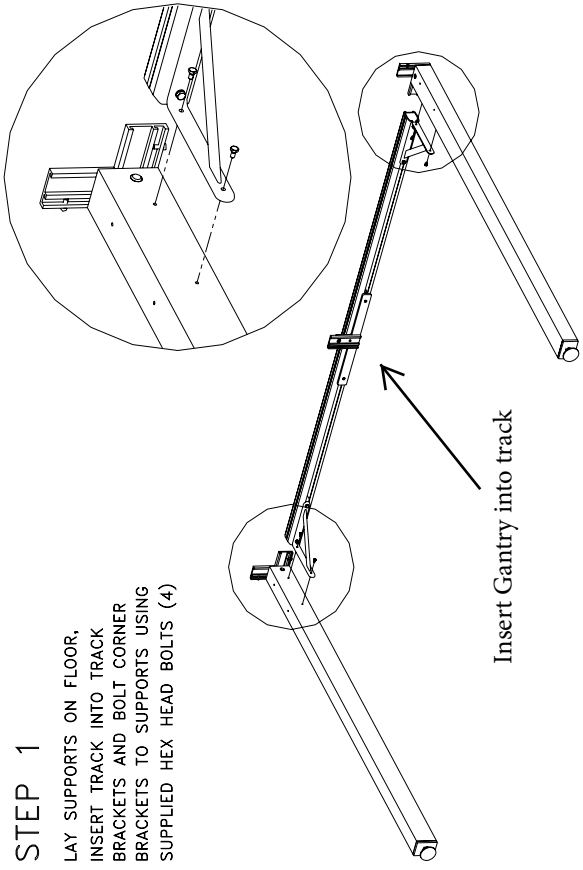


Install final gantry into track and install track assembly.



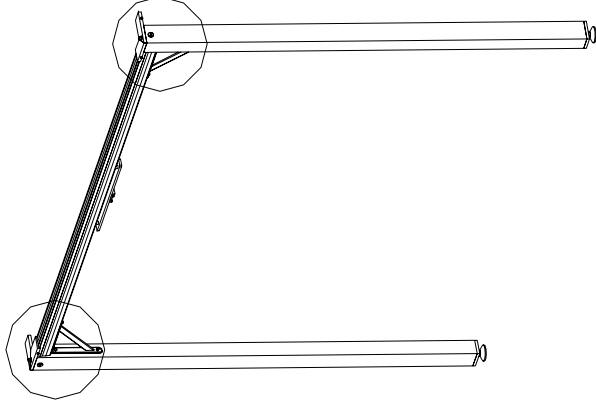
STEP 1

LAY SUPPORTS ON FLOOR,
INSERT TRACK INTO TRACK
BRACKETS AND BOLT CORNER
BRACKETS TO SUPPORTS USING
SUPPLIED HEX HEAD BOLTS (4)



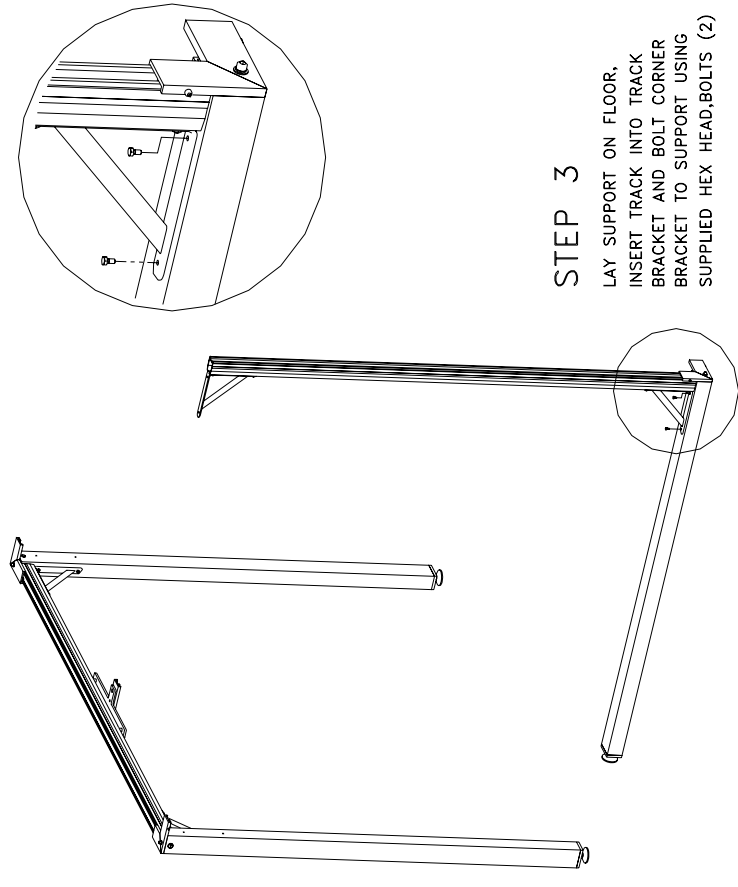
STEP 2

RAISE ASSEMBLY TO AN UP
RIGHT POSITION AND TIGHTEN TRACK
BRACKET SCREWS. REST ASSEMBLY
AGAINST WALL.



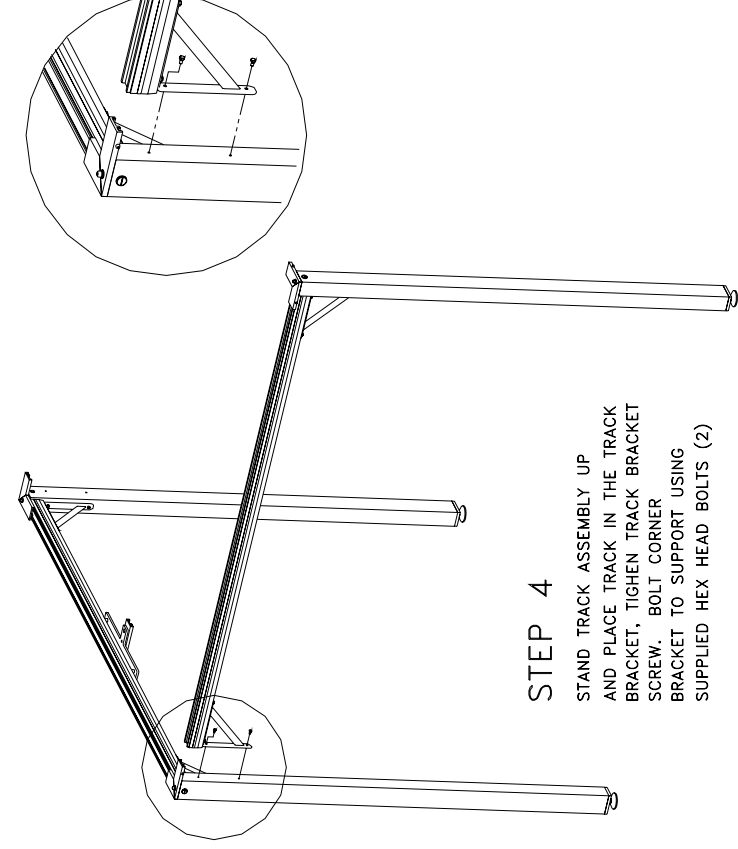
STEP 3

LAY SUPPORT ON FLOOR,
INSERT TRACK INTO TRACK
BRACKET AND BOLT CORNER
BRACKET TO SUPPORT USING
SUPPLIED HEX HEAD BOLTS (2)



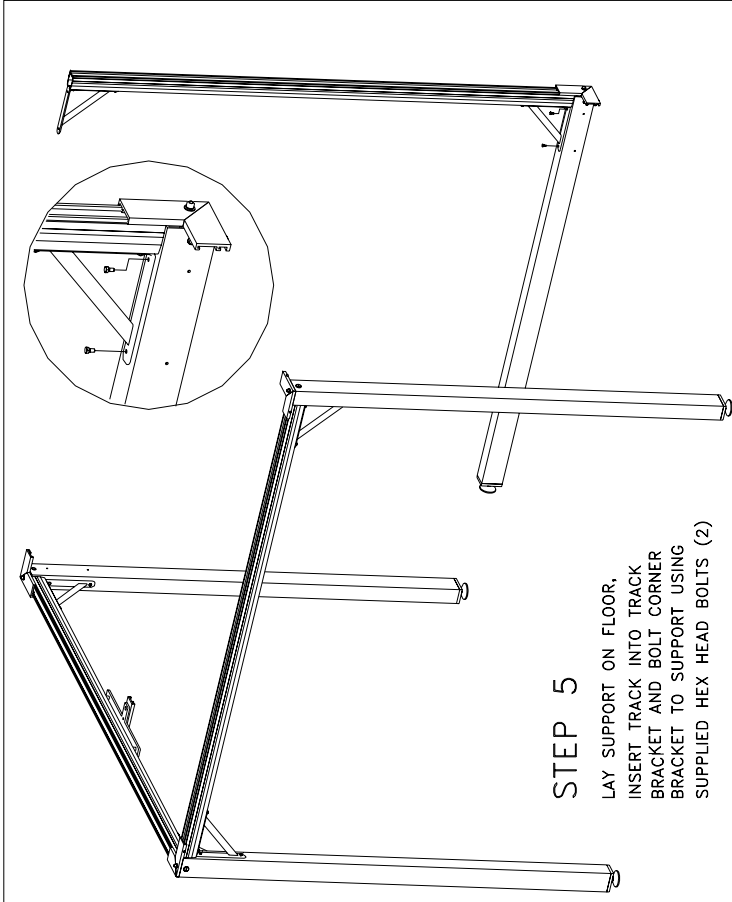
STEP 4

STAND TRACK ASSEMBLY UP
AND PLACE TRACK IN THE TRACK
BRACKET, TIGHTEN TRACK BRACKET
SCREW. BOLT CORNER
BRACKET TO SUPPORT USING
SUPPLIED HEX HEAD BOLTS (2)



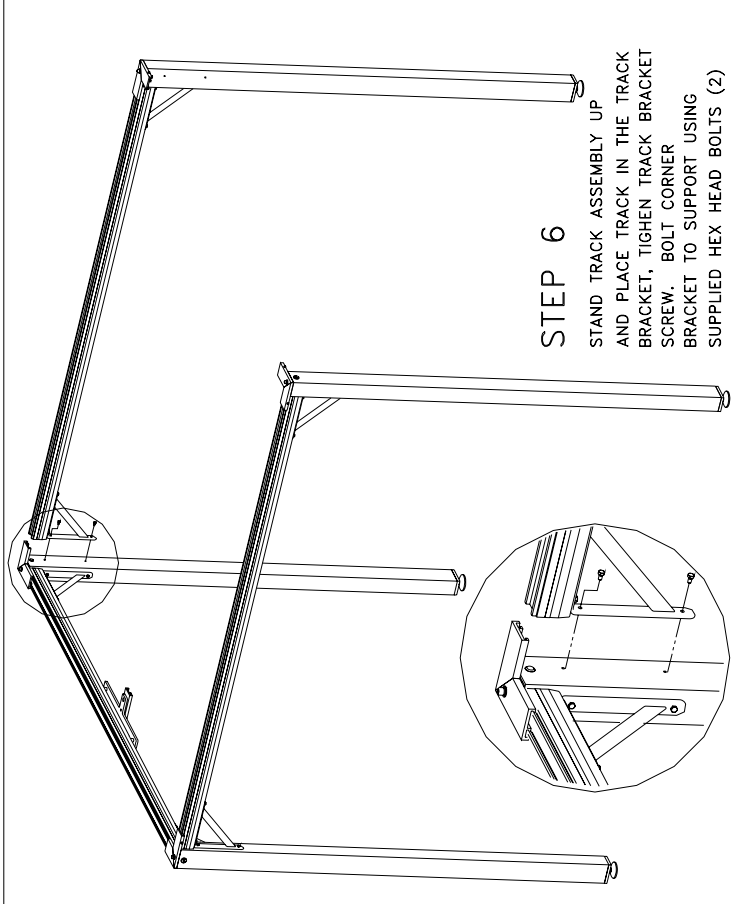
STEP 5

LAY SUPPORT ON FLOOR,
INSERT TRACK INTO TRACK
BRACKET AND BOLT CORNER
BRACKET TO SUPPORT USING
SUPPLIED HEX HEAD BOLTS (2)



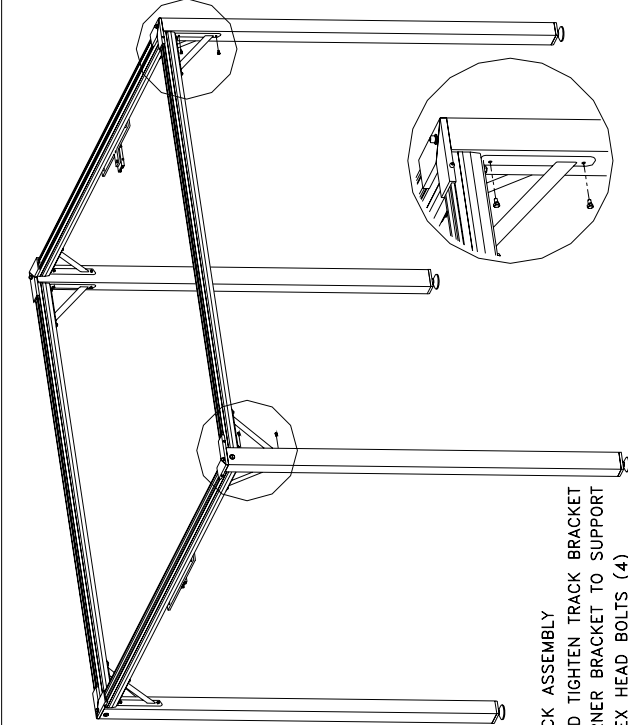
STEP 6

STAND TRACK ASSEMBLY UP
AND PLACE TRACK IN THE TRACK
BRACKET, TIGHTEN TRACK BRACKET
SCREW. BOLT CORNER
BRACKET TO SUPPORT USING
SUPPLIED HEX HEAD BOLTS (2)



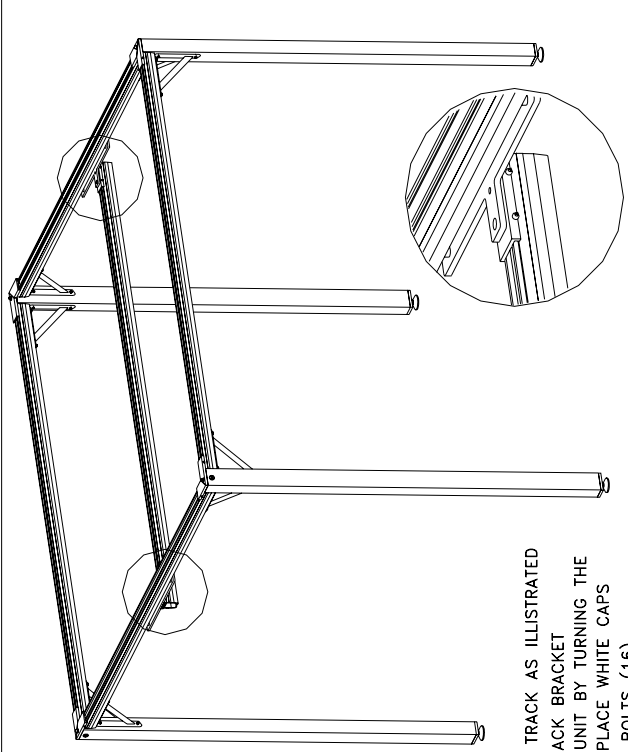
STEP 7

INSTALL FINAL TRACK ASSEMBLY
AS ILLUSTRATED AND TIGHTEN TRACK BRACKET
SCREWS. BOLT CORNER BRACKET TO SUPPORT
USING SUPPLIED HEX HEAD BOLTS (4)



STEP 8

INSTALL GANTRY TRACK AS ILLUSTRATED
AND TIGHTEN TRACK BRACKET
SCREWS. LEVEL UNIT BY TURNING THE
LEVELING FEET. PLACE WHITE CAPS
OVER HEX HEAD BOLTS (16)



Insert last gantry into track & install track assembly.